

CZT31C NPN
CZT32C PNP

**SURFACE MOUNT
COMPLEMENTARY
SILICON POWER TRANSISTORS**



www.centrasemi.com

**POWER
223™**



SOT-223 CASE

DESCRIPTION:

The CENTRAL SEMICONDUCTOR CZT31C and CZT32C types are surface mount epoxy molded complementary silicon transistors manufactured by the epitaxial base process, designed for surface mounted power amplifier applications up to 3.0 amps.

MARKING: FULL PART NUMBER

MAXIMUM RATINGS: ($T_A=25^\circ\text{C}$)

Collector-Base Voltage	V_{CBO}	100	V
Collector-Emitter Voltage	V_{CEO}	100	V
Emitter-Base Voltage	V_{EBO}	5.0	V
Continuous Collector Current	I_C	3.0	A
Peak Collector Current	I_{CM}	6.0	A
Continuous Base Current	I_B	1.0	A
Power Dissipation	P_D	2.0	W
Power Dissipation ($T_C=25^\circ\text{C}$)	P_D	10	W
Operating and Storage Junction Temperature	T_J, T_{stg}	-65 to +150	$^\circ\text{C}$
Thermal Resistance	θ_{JA}	62.5	$^\circ\text{C/W}$
Thermal Resistance	θ_{JC}	12.5	$^\circ\text{C/W}$

SYMBOL

V_{CBO}	100	V
V_{CEO}	100	V
V_{EBO}	5.0	V
I_C	3.0	A
I_{CM}	6.0	A
I_B	1.0	A
P_D	2.0	W
P_D	10	W
T_J, T_{stg}	-65 to +150	$^\circ\text{C}$
θ_{JA}	62.5	$^\circ\text{C/W}$
θ_{JC}	12.5	$^\circ\text{C/W}$

UNITS

ELECTRICAL CHARACTERISTICS: ($T_A=25^\circ\text{C}$ unless otherwise noted)

SYMBOL	TEST CONDITIONS	MIN	MAX	UNITS
I_{CES}	$V_{CE}=100\text{V}$		200	μA
I_{CEO}	$V_{CE}=60\text{V}$		300	μA
I_{EBO}	$V_{EB}=5.0\text{V}$		1.0	mA
BV_{CEO}	$I_C=30\text{mA}$	100		V
$V_{CE(SAT)}$	$I_C=3.0\text{A}, I_B=375\text{mA}$		1.2	V
$V_{BE(ON)}$	$V_{CE}=4.0\text{V}, I_C=3.0\text{A}$		1.8	V
h_{FE}	$V_{CE}=4.0\text{V}, I_C=1.0\text{A}$	25		
h_{FE}	$V_{CE}=4.0\text{V}, I_C=3.0\text{A}$	10	100	
f_T	$V_{CE}=10\text{V}, I_C=500\text{mA}, f=1.0\text{MHz}$	3.0		MHz

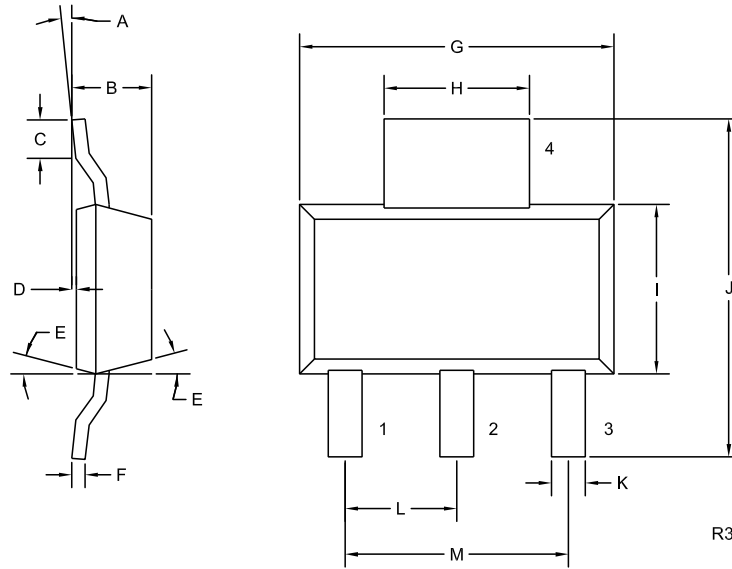
R4 (1-March 2010)

CZT31C NPN
CZT32C PNP

**SURFACE MOUNT
COMPLEMENTARY
SILICON POWER TRANSISTORS**



SOT-223 CASE - MECHANICAL OUTLINE



LEAD CODE:

- 1) Base
- 2) Collector
- 3) Emitter
- 4) Collector

**MARKING:
FULL PART NUMBER**

SYMBOL	DIMENSIONS			
	INCHES		MILLIMETERS	
	MIN	MAX	MIN	MAX
A	0°	10°	0°	10°
B	0.059	0.071	1.50	1.80
C	0.018	---	0.45	---
D	0.000	0.004	0.00	0.10
E	15°		15°	
F	0.009	0.014	0.23	0.35
G	0.248	0.264	6.30	6.70
H	0.114	0.122	2.90	3.10
I	0.130	0.146	3.30	3.70
J	0.264	0.287	6.70	7.30
K	0.024	0.033	0.60	0.85
L	0.091		2.30	
M	0.181		4.60	

SOT-223 (REV: R3)

R4 (1-March 2010)